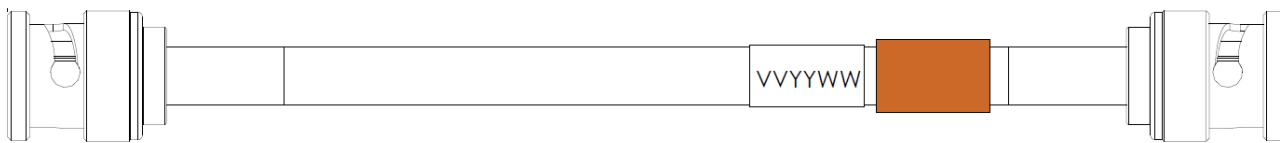


View Net Drop Cable

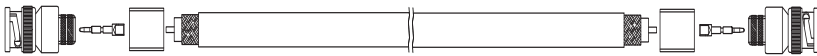
The Drop Cable is used to connect a View Network Terminal (Network Window Controller or Network Adapter) to a trunk cable splitter, providing both power and communications to one Network Terminal through a single cable. The Drop Cable is available in both pre-terminated and un-terminated configurations.

The Drop Cable is terminated with a male BNC connector, and it is designed to connect to the female BNC connectors in the View Net Network Terminals and Trunk Cable Splitters.

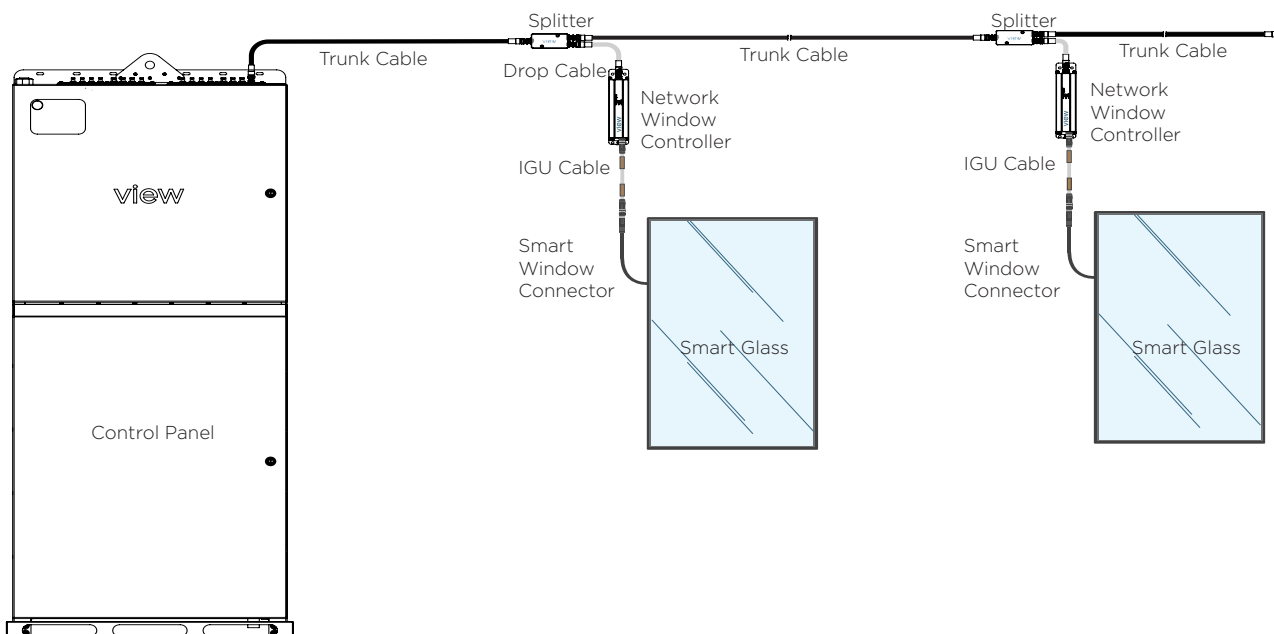
Pre-terminated Assembly



Field Terminated Assembly



Application Example



Ordering Information

Ordering Part Number	Description
VN-DC-TXX	Pre-terminated Coax Drop Cable with BNC male connectors. (Replace 'XX' with corresponding length code)
VN-DCP-TXX	Plenum-rated pre-terminated Coax Drop Cable with BNC male connectors. (Replace 'XX' with corresponding length code)
VN-DC-UYU	Unterminated Coax Drop Cable. (Replace 'YY' with corresponding length code)
VN-DCP-UYU	Plenum-rated unterminated Coax Drop Cable. (Replace 'YY' with corresponding length code)
VN-BNC-DC	BNC Male Connector for Drop Cable (fits RG-58 Coax)

Length Chart for Pre-Terminated Cables

Length Chart		
XX	Length (Feet)	Length (m)
01	1	0.3
02	2	0.6
03	3	0.9
04	4	1.2
05	5	1.5
06	6	1.8
07	7	2.1
08	8	2.4
09	9	2.7
10	10	3.0

Length Chart for Unterminated Cables

Length Chart		
YY	Length (Feet)	Length (m)
05	500	154.2
10	1000	304.8

Specifications

Max Current	3 A
Max Voltage	300 V
Bend Radius	0.5 in
Cable Rating	Plenum rated option available
Warranty	All cables and components carry a warranty for a period of 5 years from date of delivery by View. Refer to standard warranty terms and conditions for more details. CMP rated to NEC Section 800 standard.
Rated Temperature	Plenum: -20°C to 75°C Non-Plenum: -20°C to 80°C
Used in Conjunction with	View Net Trunk Cable Splitter View Net Control Panel View Net Network Window Controller View Net Trunk Cable View Net Network Adapter
Routing locations	Above ceiling grids, within interstitials, within spandrel locations, within drywall spaces and within framing channels.