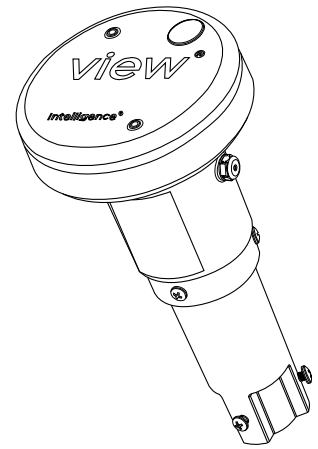


Sky Sensor

The roof-mounted Sky Sensor provides external light level data and infrared temperature data to the View Smart Glass system to allow optimization of tint levels for each Smart Glass zone. The assembly includes the Sky Sensor with a 50 ft length of CAT5 Ethernet cable attached. It also comes with a Cat6 coupler for extension (ordered separately).

Features

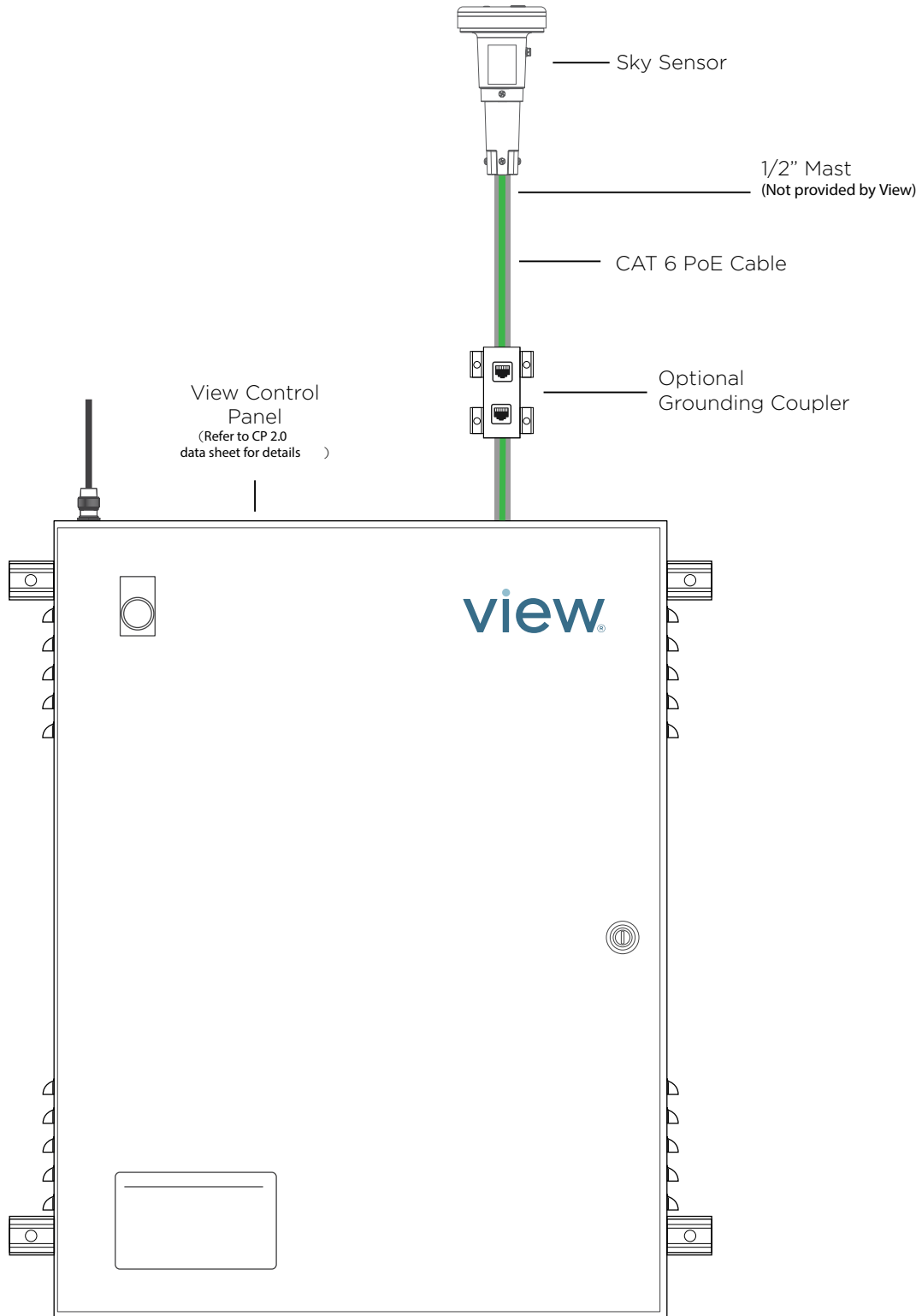
- 360-degree horizontal light sensing coverage plus a vertical photo sensor.
- Infrared conical cloud detection coverage.
- PoE-enabled (Power-over-Ethernet) to allow data and power transmission with a single cable.
- Designed with built-in pole mounting features to simplify the installation process.



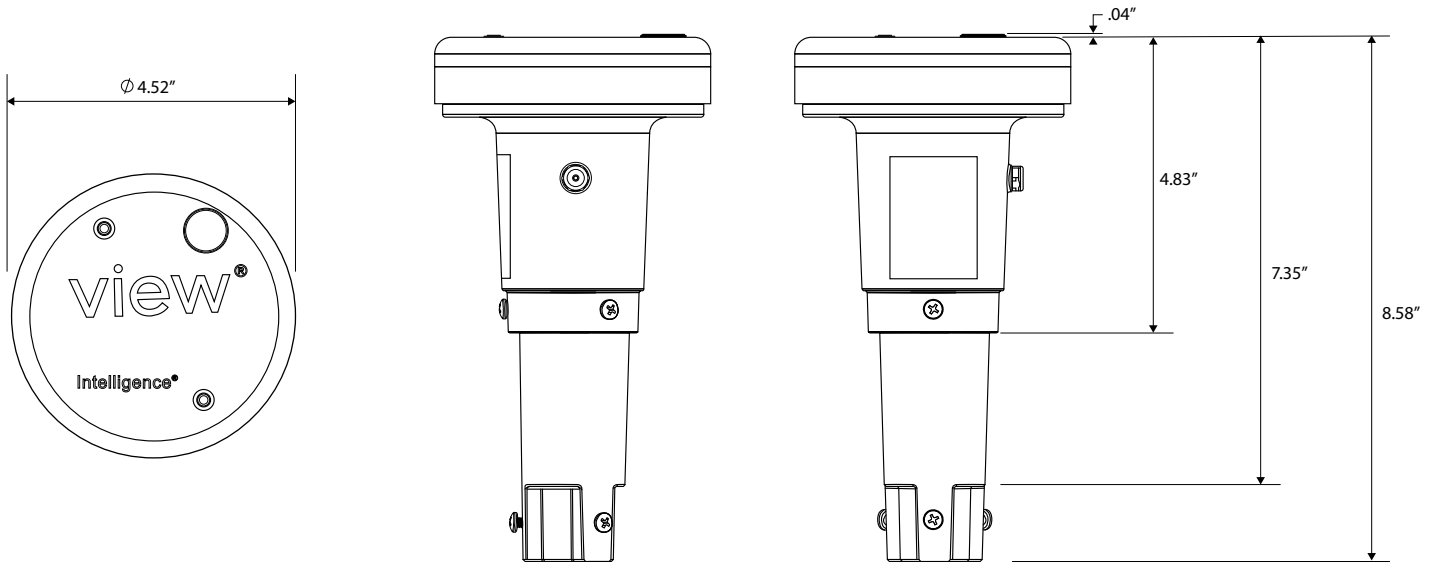
Specifications

Cable	50 ft. length of Category 5 Shielded and plenum rated Ethernet cable with ruggedized RJ45 connector attached to lower housing of Sky Sensor; field wireable if necessary.
Power	PoE (Power over Ethernet) voltage requirement: Class 0, 36-57 VDC VDC PoE (Power over Ethernet) Injector located in CP (see ordering information)
Sensors	<ul style="list-style-type: none"> • Photo sensors (x13) • Infrared temperature sensors (x2) • Light sensor dynamic range: 1 - 100K Lux
IP Configuration	Default Static IP: 10.50.80.150
Environmental	<ul style="list-style-type: none"> • Storage Temperature: -40C to 85C • Operating Temperature: -20C to 65C • Meets the requirements for IP65 per IEC 60529
Weight	1.08 Pounds
Mounting	Pole mount: 1/2 inch RMT (Rigid Metallic Tubing) or IMT (Intermediate Metallic Tubing) as allowed by local code. Mast not provided by View. Note: Do not use EMC/EMT.
Agency Approval	Complies with: <ul style="list-style-type: none"> • FCC Part 15 Subpart B Section 15.107 & 15.109 • EN 55032 Class B Conducted Emissions • EN 55032 Class B Radiated Emissions • EN 61000-4-2 (2009) Electrostatic Discharge • EN 61000-4-3 (2006)+A1+A2 Radiated Immunity • EN 61000-4-4 (2004) Electrical Fast Transient/Burst • EN 61000-4-6 (2009) Conducted Immunity
Maintenance	Wipe down with a damp cloth as local conditions require.
Warranty	5 years

System Overview



Dimensions



Ordering Information

Part Number	Description
010-101619-01	Sky Sensor
015-101821-01 or -02	PoE Injector (systems with Control Panel x1 or x2)
330-101504	PoE Injector (systems with older Control Panel)
015-102018	L-COM POE Coupler Kit

Related Documents

Doc Number	Description
QDM-05-000045	Sky Sensor Installation Guide